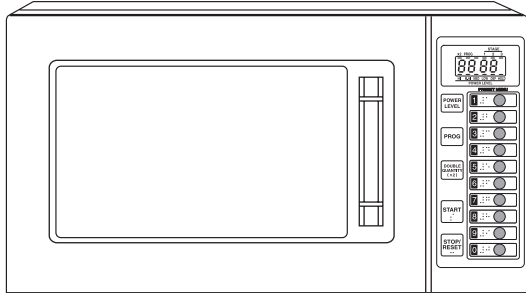


Service Manual

Microwave Oven

Supplement



NE-1064F
NE-1064C
NE-1054F
NE-1054C
NE-1024F
NE-1024C

APH (USA)
CPH (CANADA)

Please file and use this Supplement Service Manual together with following Service Manual.
NE-1024T/TC, 1054T/TC, 1064T/TC, ORDER NO. TAMC0103001C2.

⚠ WARNING

This service information is designed for experienced repair technicians only and is not designed for use by the general public. It does not contain warnings or cautions to advise non-technical individuals of potential dangers in attempting to service a product. Products powered by electricity should be serviced or repaired only by experienced professional technicians. Any attempt to service or repair the products or products dealt with in this service information by anyone else could result in serious injury or death.

Specification:

Models	NE-1064F APH NE-1064C CPH	NE-1064T APH NE-1064TC CPH	NE-1054F APH NE-1054C APH	NE-1054T APH NE-1054TC CPH	NE-1024F APH NE-1024C CPH	NE-1024T APH NE-1024TC CPH
Power Source:	120V AC Single Phase, 60Hz					
Power Requirement:	1500W (13.4A)		1500W (13.4A)		1500W (13.4A)	
Output:	1000W *		1000W *		1000W *	
Microwave Frequency:	2450MHz					
Timer:	6 min. Rotary for NE-1024F/C 99 min. 99sec. for NE-1064F/C & NE-1054F/C					
Outside Dimensions:	20 1/8" (W) X 14 3/16" (D) X 12" (H) 510mm (W) X 360mm (D) X 306mm (H)					
Oven Cavity Dimensions:	13" (W) X 13" (D) X 8 1/16" (H) 330mm (W) X 330mm (D) X 205mm (H)					
Weight:	Approx. 34 lbs /15.4 kg		Approx. 34 lbs /15.4 kg		Approx. 34 lbs /15.4 kg	
PbF	This product with PbF					
Specifications subject to change without notice.						
* IEC705-88 Test Procedure						

Note:


- * NE-1064F APH is based upon NE-1064T APH, the specification and appearance is same, and the main difference is the manufacturer.
- * NE-1064C CPH is based upon NE-1064TC CPH, the specification and appearance is same, and the main difference is the manufacturer.
- * NE-1054F APH is based upon NE-1054T APH, the specification and appearance is same, and the main difference is the manufacturer.
- * NE-1054C CPH is based upon NE-1054TC CPH, the specification and appearance is same, and the main difference is the manufacturer.
- * NE-1024F APH is based upon NE-1024T APH, the specification and appearance is same, and the main difference is the manufacturer.
- * NE-1024C CPH is based upon NE-1024TC CPH, the specification and appearance is same, and the main difference is the manufacturer.















© 2007 Panasonic Home Appliance Microwave Oven (Shanghai) Co., Ltd. All rights reserved. Unauthorized copying and distribution is a violation of law.

PARTS LIST

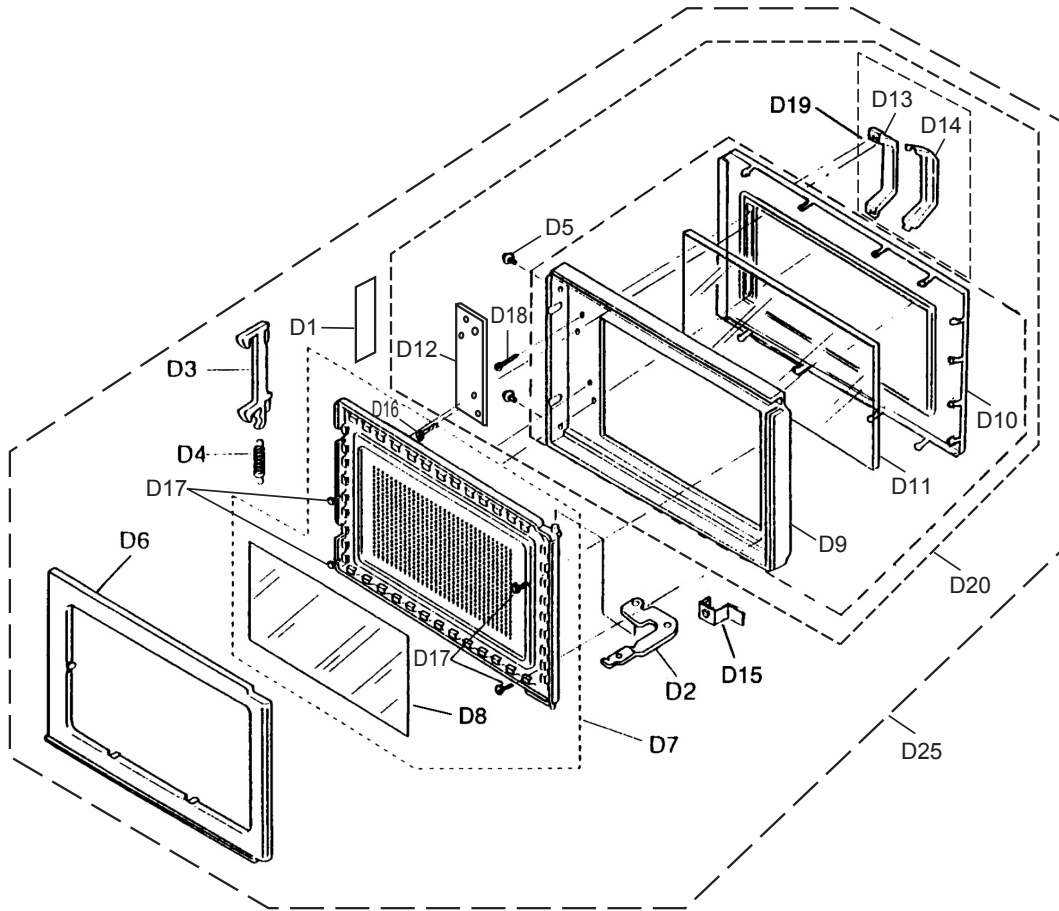
NOTE:

1. When ordering replacement part(s), please use part number(s) shown in this part list.
Do not use description of the part.
2. Important safety notice:
Components identified by  mark have special characteristics important for safety.
When replacing any of these components, use only manufacture's specified parts.

Ref. No.		Part No.	Part name & Description	Pcs/ Set	Remarks
1		F00069660AP	CAUTION LABEL	1	APH
1		F00067600CP	CAUTION LABEL	1	CPH
2		F00338K00AP	FUSE LABEL	1	APH
2		F00338K00CP	FUSE LABEL	1	CPH
3		A010T3700BP	CERAMIC TRAY	1	1064F APH,1064C CPH
3		A010T8K10AP	CERAMIC TRAY	1	1054F APH,1054C CPH,1024F APH,1024C CPH
4		F0903000AG	CUSHION RUBBER A	2	
5		F0904000BB	CUSHION RUBBER A	2	
7		F10013700AP	BASE	1	
8		A1008-1180	RUBBER FOOT	4	
9		F110D8K00AP	CABINET BODY (U)	1	1064F APH,1064C CPH
9		F110D8K10AP	CABINET BODY (U)	1	1054F APH,1054C CPH,1024F APH,1024C CPH
10		F11406V00HP	STOPPER A	1	
11		F10613130AP	REAR COVER	1	
12		F200A8K00AP	OVEN CAVITY	1	1064F APH,1064C CPH
12		F200A8K10AP	OVEN CAVITY	1	1054F APH,1054C CPH,1024F APH,1024C CPH
13		F20194210AQ	ANTENNA SPACER	2	
14		F202K3700BP	MOVING ANTENNA	1	
15		F20553130AP	CEILING COVER	1	
16		F30073700BP	LOWER HINGE (B)	1	
17		J3020-1480	DOOR HOOK	1	
18		J3137-1480	HOOK SPACER B	1	
19		J3138-1480	HOOK SPACER C	1	
20		F4008-1480	FAN BLADE	1	
21		F40253700BP	AIR GUIDE A	1	
22		F41445540AP	ORIFICE	1	
23		F621B6P10AP	H.V.TRANSFORMER	1	
24		F03538K00AP	TEMP SENSOR W/LEAD WIRE(U)	1	1064F APH,1064C CPH,1054F APH,1054C CPH
25		F612E5Y30AP	INCANDESCENT LAMP (U)	1	
26		J6142-1450	MICRO SWITCH	1	(V-16G-3C26-M) PRIMARY LATCH SWITCH
27		J6142-1450	MICRO SWITCH	1	1024F APH,1024C CPH (V-16G-3C26-M) PRIMARY LATCH SWITCH
27		A61425180AP	MICRO SWITCH	1	1054F APH,1054C CPH,1064F APH,1064C CPH (L-3C2-2) SECONDARY LATCH SWITCH
28		F61448K00AP	ANTENNA MOTOR	1	
29		F61456N00AP	THERMAL CUTOUT	1	FOR OVEN CAVITY
30		F61458K10AP	THERMAL CUTOUT	1	FOR MAGNETRON
31		A50966520UP	FERRITE CORE	1	CPH
32		ANE6161-3X0	MICRO SWITCH	1	(V-16G-2C25) SHORT SWITCH
33		F60374760GP	CAPACITOR HOLDER	1	
34		F62025G10XN	DIODE,SI	1	
35		F62308F20AP	FUSE	1	18A
36		F62315G10XN	FUSE HOLDER	1	APH
37		XTTBFE4T12A0	SCREW	5	FOR CABINET BODY
38		F60906N60XP	H.V.CAPACITOR	1	
39		F692Y7600CP	NOISE FILTER (U)	1	CPH
40		F900C8K00AP	AC CORD W/PLUG	1	

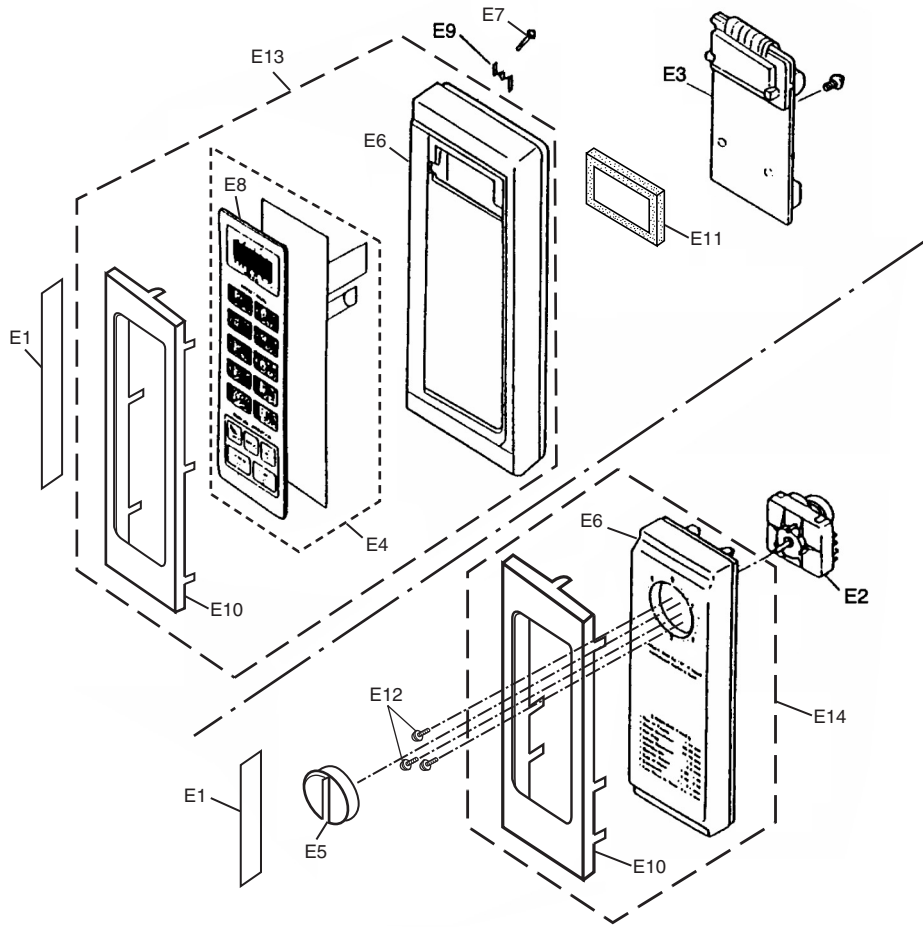
Ref. No.		Part No.	Part name & Description	Pcs/ Set	Remarks
41		A90823960AP	CLIP	2	FOR COVER
42		XTWFA4+12T	SCREW	4	FOR MAGNETRON
43	△	2M244-M1J1P	MAGNETRON	1	
44		J400A8K00AP	FAN MOTOR	1	120V,AC SINGLE PHASE
45		J3136-1480	HOOK SPACER A	1	
46		J3097-1480	LATCH SPRING	1	
47		F0903000CD	CUSHION RUBBER A	1	
48		F10498K00AP	SPACER CUSHION	1	
49		XTWFA4+12LR	SCREW	2	
50		XYFBFE4+AF8	SCREW	2	
51		XTC4+12BC	SCREW	2	FOR CABINET BODY SIDE
60		F01728K00AP	CAUTION LABEL	1	1064F APH,1064C CPH (ON THE CIBINET BODY)
61	△	F606V8K00AP	PROTECTOR DIODE (U)	1	
65	△	J393C3710BP	DOOR HOOK (U)	1	1024F APH, 1024C CPH
65	△	J393C8890GP	DOOR HOOK (U)	1	1054F APH, 1054C CPH, 1064F APH, 1064C CPH

DOOR ASSEMBLY



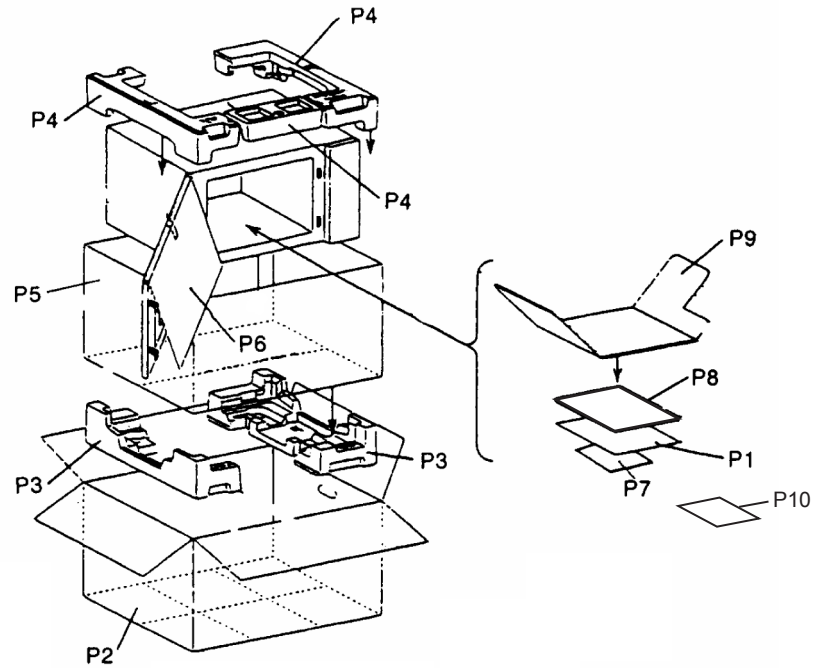
Ref. No.	Part No.	Part name & Description	Pcs/ Set	Remarks
D1	F02459660AP	DHHS LABEL	1	APH
D1	F04114180CP	CSA LABEL	1	CPH
D2	F30063700BP	UPPER HINGE (A)	1	
D3	F3018-1480	DOOR KEY A	1	
D4	F30214000AP	DOOR KEY SPRING	1	
D5	XTN3+8BJ	SCREW	2	
D6	△ F30858960HN	DOOR C	1	
D7	△ F302K3700BP	DOOR E (U)	1	
D8	A31453700BP	DOOR SCREEN A	1	
D9	△ F30016P00AP	DOOR A	1	
D10	F30026P00AP	DOOR B (U)	1	
D11	F31466P00AP	DOOR SCREEN B	1	
D12	F32863700AP	HANDLE BRACKET	1	
D13	A30703170GP	HANDLE PIECE A	1	1064F APH,1064C CPH
D13	F30706P00AP	HANDLE PIECE A	1	1024F APH,1024C CPH, 1054F APH,1054C CPH
D14	ANE31348U1AP	HANDLE PIECE B	1	1064F APH,1064C CPH
D14	F31346P00AP	HANDLE PIECE B	1	1024F APH,1024C CPH, 1054F APH,1054C CPH
D15	F90096P00AP	EARTH PLATE	1	
D16	XTN4+16Q	SCREW	2	
D17	XTN4+8C	SCREW	4	
D18	XTCAFA4+12AFS	SCREW	2	1024F APH,1024C CPH, 1054F APH,1054C CPH
D19	F301F6P00AP	HANDLE (U)	1	1064F APH,1064C CPH
D19	F301F6P10AP	HANDLE (U)	2	1024F APH,1024C CPH,1054F APH,1054C CPH
D20	△ F302A8K00SAP	DOOR A (U)	1	1064F APH,1064C CPH
D20	△ F302A8K10SAP	DOOR A (U)	1	1024F APH,1024C CPH,1054F APH,1054C CPH
D25	△ F390L8K00SAP	DOOR (U)	1	1064F APH,1064C CPH
D25	△ F390L8K10SAP	DOOR (U)	1	1024F APH,1024C CPH,1054F APH,1054C CPH

ESCUTCHEON BASE ASSEMBLY



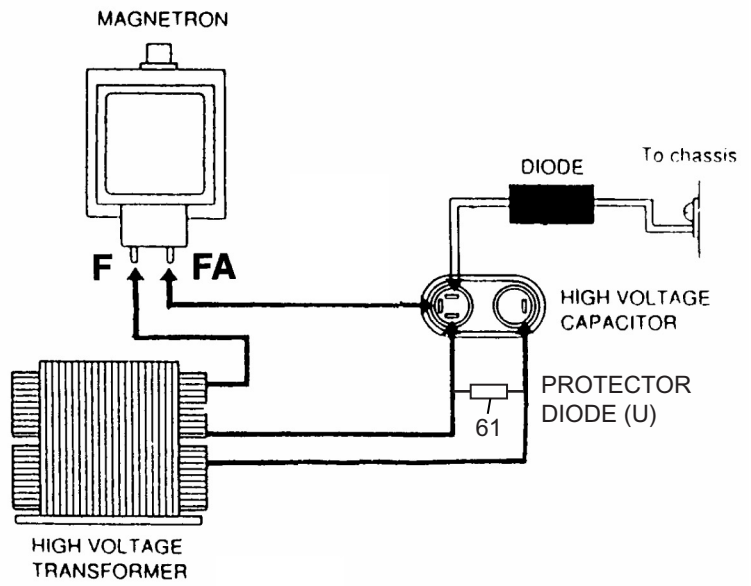
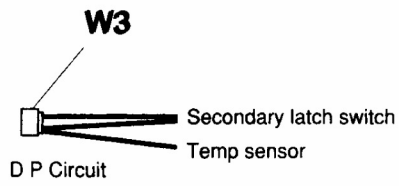
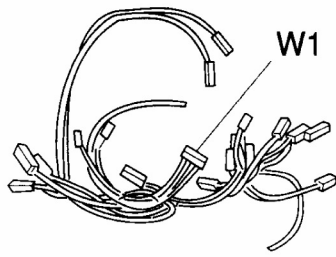
Ref. No.	Part No.	Part name & Description	Pcs/ Set	Remarks
E1	F00078K00SAP	NAME PLATE	1	APH
E1	F00078K00SCP	NAME PLATE	1	CPH
E2	F60018K20AP	TIMER SWITCH	1	1024F APH,1024C CPH
E3	F603L6P10AP	D.P.CIRCUIT (U)	1	1064F APH,1064C CPH,1054F APH,1054C CPH
E4	F630Y6P20AP	MEMBRANE SWITCH (U)	1	1064F APH,1064C CPH
E4	F630Y6P10AP	MEMBRANE SWITCH (U)	1	1054F APH,1054C CPH
E5	F80206P00AP	TIMER KNOB	1	1024F APH,1024C CPH
E6	F80346P10AP	ESCUTCHEON BASE	1	1064F APH,1064C CPH,1054F APH,1054C CPH
E6	F80346P00AP	ESCUTCHEON BASE	1	1024F APH, 1024C CPH
E7	XTBAFE4+8FE	SCREW	1	1064F APH,1064C CPH,1054F APH,1054C CPH
E8	F83376P20AP	ESCUTCHEON SHEET	1	1064F APH, 1064C CPH
E8	F83376P10AP	ESCUTCHEON SHEET	1	1054F APH, 1054C CPH
E9	F90096P10AP	EARTH PLATE	1	1064F APH,1064C CPH,1054F APH,1054C CPH
E10	F80356P00AP	ESCUTCHEON FACIA	1	
E11	F82846P10AP	CUSHION	1	1064F APH,1064C CPH,1054F APH,1054C CPH
E12	XTWEFNE3+8Q	SCREW	3	1024F APH,1024C CPH
E13	F800L8K00SAP	ESCUTCHEON BASE (BU)	1	1064F APH,1064C CPH
E13	F800L8K10SAP	ESCUTCHEON BASE (BU)	1	1054F APH,1054C CPH
E14	F800L8K20SAP	ESCUTCHEON BASE (BU)	1	1024F APH,1024C CPH

PACKING AND ACCESSORIES



Ref. No.	Part No.	Part name & Description	Pcs/ Set	Remarks
P1	F00036P00AP	OPERATING INSTRUCTION	1	1054F APH,1024F APH
P1	F00036P10CP	OPERATING INSTRUCTION	1	1054C CPH,1024C CPH
P1	F00036P20AP	OPERATING INSTRUCTION	1	1064F APH
P1	F00036P20CP	OPERATING INSTRUCTION	1	1064C CPH
P2	F01028K00AP	PACKING CASE ,PAPER	1	1064F APH
P2	F01028K00CP	PACKING CASE ,PAPER	1	1064C CPH
P2	F01028K10AP	PACKING CASE ,PAPER	1	1054F APH
P2	F01028K10CP	PACKING CASE ,PAPER	1	1054C CPH
P2	F01028K20AP	PACKING CASE ,PAPER	1	1024F APH
P2	F01028K20CP	PACKING CASE ,PAPER	1	1024C CPH
P3	F01048K00AP	LOWER FILLER	1	
P4	F01058K00AP	UPPER FILLER	1	
P5	F01067F50XN	P.E.BAG	1	
P6	F01078100XN	DOOR SHEET	1	
P7	F03343140AP	MENU LABEL	1	1064F APH,1064C CPH,1054F APH,1054C CPH
P8	F04206P20AP	OPERATING GUIDE (ENGLISH)	1	1064F APH
P8	F04206P20RP	OPERATING GUIDE (SPANISH)	1	1064F APH
P8	F04206P20CP	OPERATING GUIDE (ENGLISH/FRENCH)	1	1064C CPH
P8	F04206P10AP	OPERATING GUIDE (ENGLISH)	1	1054F APH
P8	F04206P10RP	OPERATING GUIDE (SPANISH)	1	1054F APH
P8	F04206P10CP	OPERATING GUIDE (ENGLISH)	1	1054C CPH
P9	F01088K00AP	TRAY PACKING	1	
P10	F04243130AP	SECURITY BOLT INSTALLATION INSTRUCTION	1	

WIRING MATERIAL



Ref. No.	Part No.	Part name & Description	Pcs/ Set	Remarks
W1	F030A8K00AP	LEAD WIRE HARNESS	1	1064F APH,1054F APH
W1	F030A8K00CP	LEAD WIRE HARNESS	1	1064C CPH,1054C CPH
W1	F030A8K20AP	LEAD WIRE HARNESS	1	1024F APH
W1	F030A8K20CP	LEAD WIRE HARNESS	1	1024C CPH
W3	F03538K00AP	LEAD WIRE (U) W/TEMP SENSOR	1	1064F APH,1064C CPH,1054F APH,1054C CPH
61	F606V8K00AP	PROTECTOR DIODE (U)	1	