

Migali

COMPETITOR SERIES



INSTRUCTION MANUAL

Refrigerated Preparation Tables

& Under-Counter Refrigerators/Freezers

Models:

C-U27R,C-U48R,C-U60R,C-U72R,C-U27F,C-U48F,C-U60F

C-SP27-8,C-SP48-12,C-SP60-16,C-SP72-18

C-SP27-12BT,C-SP48-18BT,C-SP60-24BT,C-SP72-30BT

C-CB48,C-CB52,C-CB52-60,C-CB72,C-CB72-76

C-PP44,C-PP67,C-PP93

Migali Foodservice Refrigeration
Call Toll Free: 800.852.5292



Installation, use and maintenance instructions

INDEX

1 Preface.....	2
2 Introduction.....	5
3 Manufacturer's retained rights and responsibility.....	5
4 Transportation and storage.....	6
5 Commissioning.....	6
5.1 Positioning.....	6
5.2 Initial cleaning.....	7
5.3 Connection to electrical supply.....	7
5.4 Connection to drains.....	8
6 Technical characteristics.....	9
6.1 Noise and vibration.....	9
6.2 Possible applications.....	9
7 Usage.....	9
7.1 Activation.....	9
7.2 Storage of food-stuffs.....	9
7.3 Defrosting.....	10
7.3.1 Defrost timer.....	10
8 Maintenance.....	10
8.1 Periodic cleaning.....	10
8.2 Cleaning of condenser.....	10
8.3 Period of inactivity of cabinet.....	11
9 Trouble shooting and remedies.....	11
9.1 If the cabinet does not operate.....	11
9.2 If the required temperature is not achieved.....	11
9.3 If the cabinet leaks water.....	12
9.4 If the cabinet is unacceptably noisy.....	12
9.5 Improbable risks.....	12
10 Substitution of spares.....	13
11 Dismantling.....	13
Product dimension.....	14
Official approval and Rules.....	16
Technical Parameters.....	17



1. Preface

Please read instructions before using this appliance.

IMPORTANT SAFETY INSTRUCTION

- ▲ To reduce the risk of fire, electric shock, or injury to persons when using your product, basic safety precautions should be followed, including the following.
- ▲ This appliance must be properly installed and located in accordance with the Installation Instruction before it is used.
- ▲ Before the appliance is plugged in, ensure that the rated voltage corresponds to the voltage of the electrical system in your home. The power plug should have its own independent socket. Using adapters may cause overheating or burning.
- ▲ This appliance can be used by children aged from 8 years and above and persons with reduced physical, sensory or mental capabilities or lack of experience and knowledge if they have been given supervision or instruction concerning use of the appliance in a safe way and understand the hazards involved.
- ▲ Children shall not play with the appliance.
- ▲ Cleaning and user maintenance shall not be made by children without supervision.
- ▲ If the supply cord is damaged, it must be replaced by the manufacturer or its service agent or a similarly qualified person in order to avoid a hazard.
- ▲ Connect to properly grounded outlets only. Avoid the use of extension cords. Do not run cord under carpeting, runners or the like. Arrange cord away from traffic area and where it will not create a tripping hazard.
- ▲ Always unplug appliance when not in use and before cleaning, adjusting or maintaining this machine. To disconnect appliance, turn switch off and remove plug from power source.



- ▲ Do not disconnect by pulling on the cord. Always disconnect by grasping and pulling on the plug top.
- ▲ Do not pull out the cord or touch the power plug with wet hands. Clean water or dust from the power plug and insert it with the ends of the pins securely connected.
- ▲ Do not use outdoors.
- ▲ Do not splash water on the appliance. It may cause a malfunction or electric shock.
- ▲ Do not disassemble, repair or alter the appliance. It may cause fire or abnormal operations, which may lead to injury.
- ▲ After your fridge-freezer is in operation, do not touch the cold surfaces in the freezer compartment, particularly when hands are damp or wet. Skin may adhere to these extremely cold surfaces.
- ▲ Never place glass products in the freezer because they may be broken when their inner contents are frozen.
- ▲ The refrigerant and insulation blowing gas used in the appliance require special disposal procedures. When disposal, please consult with service agent or a similarly qualified person.
- ▲ Do not store explosive substances such as aerosol cans with a flammable propellant in this appliance.
- ▲ **WARNING:** Keep clear of obstruction all ventilation openings in the appliance enclosure or in the structure for building-in.
- ▲ **WARNING:** Do not use mechanical devices or other means to accelerate the defrosting process, other than those recommended by the manufacturer.
- ▲ **WARNING:** Do not damage the refrigerant circuit.
- ▲ **WARNING:** Do not use electrical appliances inside the food storage compartments of the appliance, unless they are of the type recommended by the manufacturer.



Warning: Risk of fire / flammable materials

CAUTION: RISK OF FIRE AND EXPLOSION WITH FLAMMABLE REFRIGERANT R290.

▲ If you need the electronic version instruction manual, please ask the manufacturer or its service agent .

▲ Max. Load of shelf is 80 kg.

This instruction manual provides all the necessary information regarding:

- ▲ use of the refrigerator
- ▲ technical specifications
- ▲ installation and handling
- ▲ operator procedures and instructions
- ▲ maintenance operation

The manual is to be considered an integral part of the refrigerator and should be stored in a safe place for future consult to permit a good working life of the refrigerator.

The appliance is intended for commercial use only.

■ Component parts shall be replaced with like components and that servicing shall be done by factory authorized service personnel.



2 INTRODUCTION

This equipment has been produced be internally or externally in its aesthetics and componability. In response to the specific exigencies of our clientele; furthermore it has been mechanically and aesthetically checked in every aspect before despatch. For the correct utilisation of the equipment; carefully read the instructions, observe all the recommendations contained therein, consign this manual which constitutes an integral part of the essence of the equipment to the end user who is requested to retain it for future consultation. By observing these recommendations, you will guarantee the extended trouble-free operation of the equipment.

3 MANUFACTURER'S RETAINED RIGHTS AND RESPONSIBILITY

It is forbidden to reproduce, partially or totally, these instructions without the express authorisation of the manufacturers.

The manufacturers deny all responsibility to third parties in consequence of:

- Non observance of the warnings and instruction contained in the test;
- Non observance of the parameters of utilisation of the equipment;
- Unreasonable or wrongful utilisation by un-trained personnel;
- use non conforming to local statutes;
- Unauthorized modifications and/or repairs undertaken by non trained or authorized personnel.
- Utilisation of non original spares or accessories;
- Exceptional occurrences;
- Imprecise instructions contained for whatever reason in the current manual;



The manufacturers reserve the right to introduce any modification deemed necessary without warning.

4 TRANSPORTATION AND STORAGE

The equipment is wrapped in absorbent material and contained and fixed within a wooden platform and paper box.

Whilst awaiting by definitive collection, these should be stored within a protected and covered environment at a temperature between -25°C / $+55^{\circ}\text{C}$, with ambient humidity between 30 / 95%. Do not stack more than four items.

5 COMMISSIONING

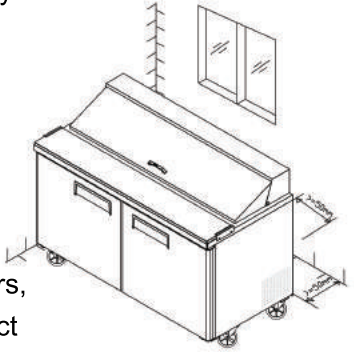
Carefully read the label on the equipment, do not cover for any reason whatsoever. and replace them immediately if damaged. Do not remove protection or panelling that require the usage of tools.

5.1 POSITIONING

Ensure that in respect of the dimensions, the space reserved for the equipment permits its correct utilisation and ease of maintenance. After carefully unpacking the display case, remove the white PVC protective film and all of the manufacturer's material which safeguards the item in transit. Place the cabinet on a flat surface and level it by screwing and adjusting the leveling legs to ensure its efficient operation. The cabinet must be lifted only from the exterior of the base to avoid the possibility of damage. Do not move the cabinet by application of pressure to the surface.



if the device has been positioned horizontally (integral condensing unit).wait two hours before activating it. Packing and protective film should be disposed off as indicated by the local authorities. The equipment must not be installed within explosive ambience, In the open air or exposed to rain the correct siting is; distant from direct sources (radiators, direct lighting, etc...) and protected from direct sunlight and draughts. Air circulation must be freely maintained around the condensing unit, be it integral or remote. In observance of these specific conditions will detrimentally affect the cabinet.



5.2 INITIAL CLEANING

Before use all parts of the cabinet should be cleaned, For the walls and all the internal parts use an antibacterial detergent. For the plastic parts use a moistened cloth. Dry with a soft clean cloth. use little or no water.

Do not use harsh or abrasive solvents or detergents

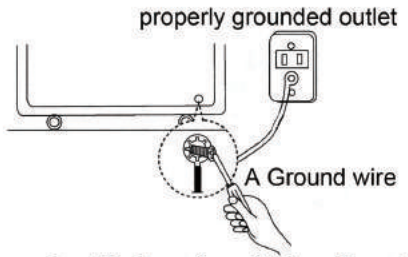
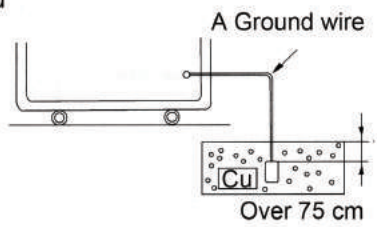
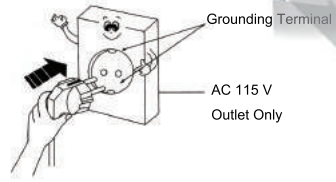
During cleaning do not approach bare-handed those parts which could cut (evaporator, condenser, etc.)and always use protective gloves.



5.3 Electrical connection

Check that the supply conforms to the requirements listed on the factory label and that it is provided with a fall-safe protection or automatic circuit

breaker with an efficient earth connection. Should there not be an electrical safety feature have this introduced by a qualified person. by means of a omnipolar switch as indicated in the safety regulations with a means of a omnipolar switch as indicated in the safety regulations with a minimum clearance of the contacts of 3 mm. where the cabinet has to be installed at some distance from the electrical source. ensure that the conforms to the local regulations. Cabinet supplied with integral condensing units are provided with an appropriate plug fitted with a neutral and earth; the supply cable must be well stretched (avoid coiling and superimposition). it must not be exposed to the possibility of damage by third parties. it should not be in contact with liquids, water or heat sources. in the event of damage it must be replaced by qualified personnel. Always avoid the use of reducers or adapters.



a gas pipe



water pipe



telephone wire

5.4 CONNECTION TO DRAINS

The dispersal of defrost water is automatic in all models with integral condensing unit.



6 TECHNICAL CHARACTERISTICS

6.1 NOISE AND VIBRATION

The sound level of the equipment fitted with integral hermetic condensing unit does not exceed 70 dB ,it is therefore not necessary to provide sound insulation. Under normal conditions the equipment does not generate vibrations which affect surroundings.

6.2 POSSIBLE USAGES

Do not utilise the equipment to store medical supplies.
the optimum operational ambient temperatures are between +10°C / +40°C with relative humidity within 55%.

The possible application are: display salads ,keep cooling; preparation, and sale of salads, fruits, Vegetables and cold dishes

7 USAGE

7.1 ACTION

Power connection and adjust the thermostat.

7.2 STORAGE OF FOOD-STUFFS

In order to obtain the best functioning of the case it is necessary to observe the following instruction:



- Place the merchandise into the unit only after it has reached the desired operating temperature given on the digital display.
- Do not place uncovered hot foods or liquids inside the unit
- Package or protect foods when possible
- Do not limit the circulation of air inside the call with superfluous obstacles.
- Avoid frequent or prolonged openings of the door/drawers
- Wait a few moments before reopening the door/drawer just after it has been closed.

Whilst stocking only open and fill a drawer at a time to eliminate the risk of over-balancing or ask to the supplier the fixable feets.

7.3 DEFROSTING

7.3.1 DEFROST TIMER

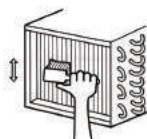
The defrost timer automatically 4 times in 24 hours, its timer will reset to the time of the initial first start-up.

8 MAINTENANCE

8.1 PERIODIC CLEANING

For hygienic reasons and improved performance clean at least once a week the internal basin. Make sure switch off the power supply before cleaning..

8.2 CLEANING OF CONDENSER



For improved performance clean the condenser at least once a month.



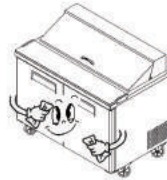
Before beginning turn off the equipment, and disconnect the plug.
Close and protect the unit.

- Unscrew, rotate and remove protective grill
- Remove the dust deposited on the front surface of the condenser using a brush and a vacuum cleaner and restore previous conditions.

8.3 PERIOD OF INACTIVITY OF CABINET

During periods of inactivity, remove the products from the cabinet and then follow these directions:

- Remove the plug out from the outlet and carefully clean the unit as per periodic cleaning
- Cover the cabinet with a cloth that allows air circulation in the interior.



9 TROUBLE SHOOTING AND REMEDIES

Often, the malfunction of a unit is due to simple causes which can easily be eliminated without contacting a technician.

Therefore execute the following controls



9.1 If the cabinet does not operate, make sure that:

- The plug has been correctly inserted into the socket.
- The supply cord is not damaged.

9.2 If the required temperature is not achieved, make sure that;

- The command switch is turned on.
- The thermostat range is correctly regulated .



- The cabinet is neither in the defrosting phase nor in the post-defrosting phase.
- The evaporator is not covered with frost .
- The condenser is not blocked with dust.
- The cabinet is not located near heat sources or its condensing unit has uninterrupted air flow.
- The stored foods or other objects do not inhibit proper closing of the unit.
- The cabinet is not working in anomalous conditions (overloaded, loaded with hot food, or loaded in a way that prevents proper air circulation).

9.3 If the cabinet leaks water, make that:

- The collecting container or the device for condensing water elimination are not damaged.
- The discharge outlets are not blocked or obstructed.
- The cabinet has been properly leveled.

9.4 If the cabinet is unacceptably noisy, make sure that:

- The frame does not have loose screws or bolts.
- The cabinet has been laid in a stable position and correctly leveled.

If, after all these controls, the malfunctioning continues, it is advisable to contact technical assistance. Be prepared to supply the following information:

- The model trade name and the serial number (both can be found on the technical data plate).

9.5 IMPROBABLE RISKS

In case of fire unplug the cabinet, if possible, and use a powder fire extinguisher.



10 SUBSTITUTION OF SPARES

Before commencing any service or maintenance work, isolate the cabinet from the electrical supply.

Always fit original spares which may be obtained from an authorized concessionaire or stockist.

11 DISMANTLING

The scrapping of the cabinet requires to be undertaken by specialized company, licensed by the local authorities, and observing local statutes. Polyurethane foaming material, not fire-resistant, when deal with the material, should be according with local law and statue.

- The cabinet consists of:
- Structure in steel plate,
- Electrical components and cables,
- Electrical compressor.
- Plastic materials,
- Refrigerant fluid which must not be discharged into the atmosphere.

ALL THE RESPONSIBILITY FOR THE FAILURE TO RESPECT THE EXISTING LOCAL STATUTES ARE THE RESPONSIBILITY OF THE OWNER.

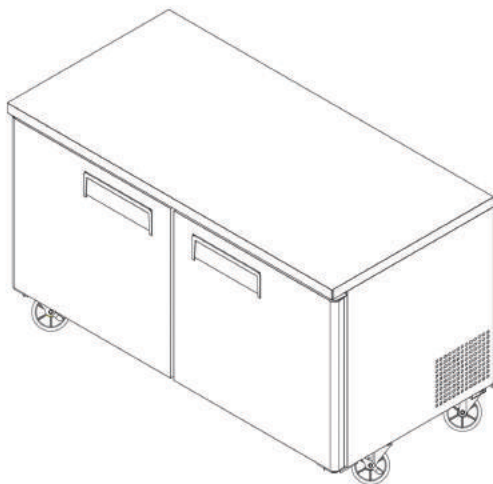
Meaning of crossed –out wheeled dustbin:

Do not dispose of electrical appliances as unsorted municipal waste, use separate collection facilities. Contact you local government for information regarding the collection systems available. If electrical appliances are disposed of in landfills or dumps, hazardous substances can leak into the groundwater and get into the food chain, damaging your health and well-being. When replacing old appliances with new ones, the retailer is legally obligated to take back your old appliance for disposals at least free of charge.

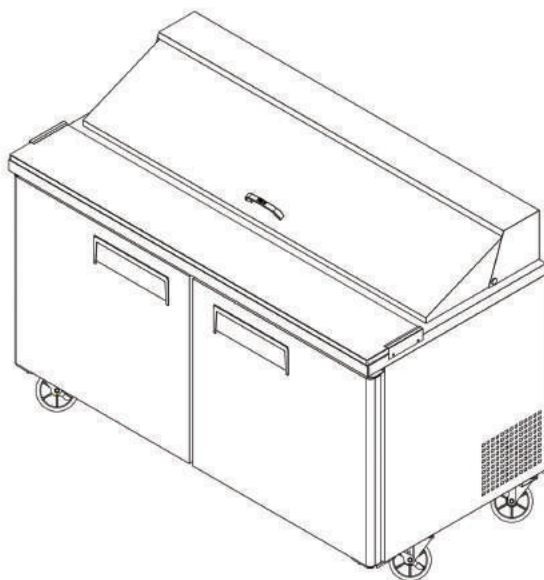


Product dimension

Undercounter

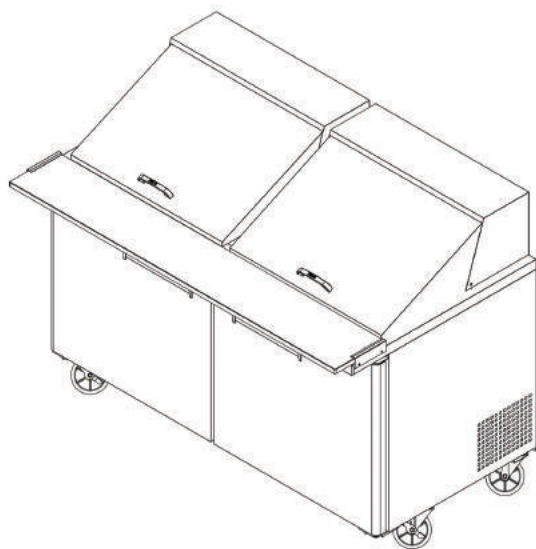


Salad Prep Table

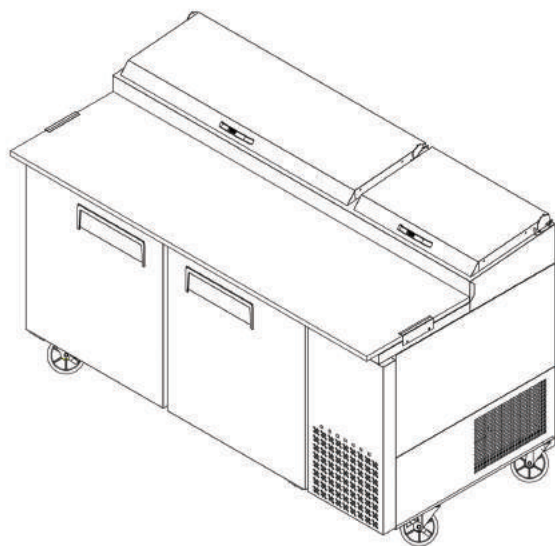




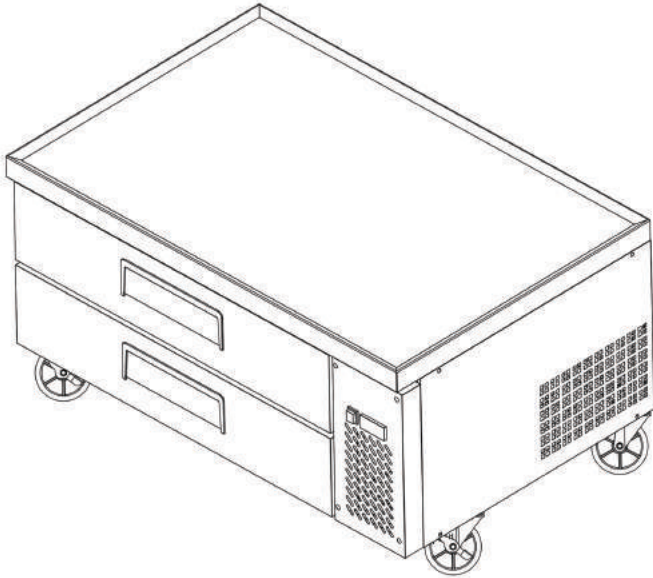
Mega Top



Pizza Prep Table



Chef Base



OFFICIAL APPROVAL AND RULES

CONFORMS TO UL STD.471

CERTIFIED TO CSA STD.C22.2 NO.120

CONFORMS TO NSF/ANSI STD. 7



Intertek
4003935
CONFORMS TO UL STD.471
CERTIFIED TO CSA STD.C22.2 NO.120



Intertek
4003935
CONFORMS TO NSF/ANSI STD.7



Technical Parameters

Model code	Power source (V)	Rating frequency(Hz)	Input power (w)	Rated current(A)	Temperature range (°C)	Refrigerant	Amount(oz)	Dimension (mm)	Volume (cu.ft)
C-U27R	115	60	260	2.3	+1~+8	R290	2.5	698×762×929	7.15
C-U48R	115	60	260	2.3	+1~+8	R290	3.9	1225×762×929	13.38
C-U60R	115	60	320	2.8	+1~+8	R290	4.2	1530×762×929	17.2
C-U72R	115	60	320	2.8	+1~+8	R290	4.2	1846×762×929	21.13
C-U27F	115	60	200	1.8	-22~-17	R290	3.5	698×762×929	7.15
C-U48F	115	60	300	2.6	-22~-17	R290	4.6	1225×762×929	13.38
C-U60F	115	60	300	2.6	-22~-17	R290	4.6	1530×762×929	17.2
C-CB48	115	60	260	2.3	+1~+8	R290	4.6	1230×815×520	7.7
C-CB52	115	60	260	2.3	+1~+8	R290	4.6	1318×815×520	8.4
C-CB52-60	115	60	260	2.3	+1~+8	R290	4.6	1536×815×520	8.4
C-CB72	115	60	260	2.3	+1~+8	R290	4.6	1840×815×520	12.1
C-CB72-76	115	60	260	2.3	+1~+8	R290	4.6	1930×815×520	12.1

NOTES :

If the technical data has any changes, we will not notify you any longer.



Model code	Power source (V)	Rating frequency(Hz)	Input power (w)	Rated current(A)	Temperature range (°C)	Refrigerant	Amount(oz)	Dimension (mm)	Volume (cu.ft)
C-SP27-8	115	60	260	2.3	+1~+8	R290	2.8	698×762×929	7.15
C-SP48-12	115	60	260	2.3	+1~+8	R290	4.2	1225×762×929	13.38
C-SP60-16	115	60	320	2.8	+1~+8	R290	4.2	1530×762×929	17.2
C-SP72-18	115	60	320	2.8	+1~+8	R290	4.6	1846×762×929	21.13
C-SP27-12BT	115	60	260	2.3	+1~+8	R290	2.8	1230×815×520	7.15
C-SP48-18BT	115	60	260	2.3	+1~+8	R290	4.2	1318×815×520	13.38
C-SP60-24BT	115	60	260	2.8	+1~+8	R290	4.2	1536×815×520	17.2
C-SP72-30BT	115	60	260	2.8	+1~+8	R290	4.6	1930×815×520	21.13
C-PP44	115	60	260	2.3	+1~+8	R290	4.9	698×762×929	9.7
C-PP67	115	60	260	2.8	+1~+8	R290	4.9	1225×762×929	18.5
C-PP93	115	60	320	3.1	+1~+8	R290	4.9	1530×762×929	28.4

NOTES :

If the technical data has any changes, we will not notify you any longer.

W081108201.20170418

